



CE

### Model Number

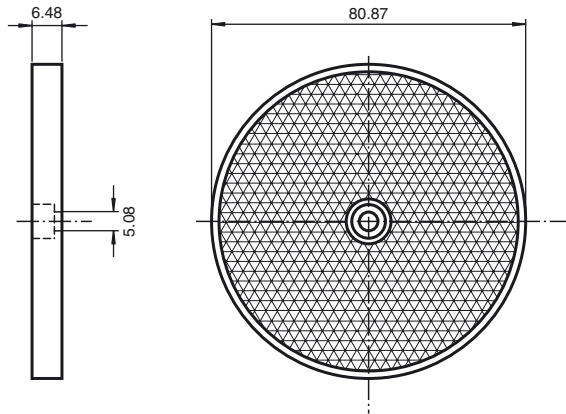
**FE-RR1**

Reflector, round  $\varnothing$  80.87 mm, central mounting hole

### Features

- Mounting holes for simple installation
- Round, corner-cube reflector

### Dimensions



### Technical data

#### General specifications

Construction type	circular
-------------------	----------

#### Ambient conditions

Ambient temperature	-20 ... 85 °C (-4 ... 185 °F)
---------------------	-------------------------------

#### Mechanical specifications

Material	PMMA/ABS
Dimensions	Diameter: 80.87 mm
Mounting	mounting hole